

QPA-791-821-45-40

791~821MHz, 45dB, 40dBm

Features:	Applications:
* Small Size	* Wireless
* Low Power Consumption	* Transmitter
	* Laboratory Test

Electrical

Frequency:	791~821MHz
Power Gain:	45dB typ.
Gain Flatness:	±0.5dB typ.
Output Power (P1dB):	40dBm typ.
Spurious:	-60dBc typ. (DC~10GHz@Pout=40dBm)
2 th Harmonic:	-30dBc typ.
Input VSWR:	1.45 typ.
Output VSWR:	2 typ.
Voltage:	+30V DC
Input Power:	-2dBm max.

Mechanical

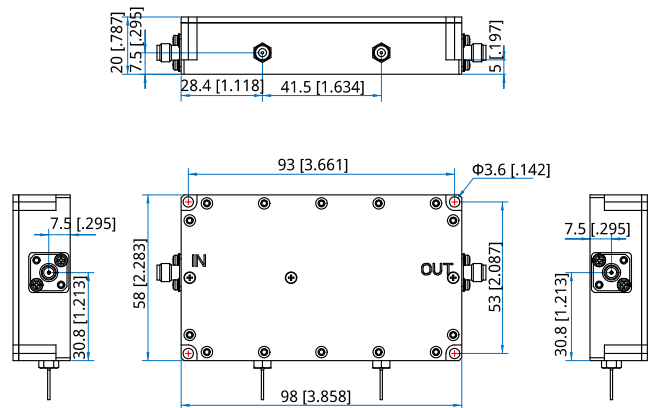
Size*1:	98*58*20mm 3.858*2.283*0.787in
RF Connectors:	SMA female
Power Supply Interface:	Feed through
Mounting:	4-Φ3.2mm through-hole
Cooling:	Forced Air

[1] Exclude connectors.

Environmental

Operating Temperature: -10~+50°C

Outline Drawings



Unit: mm [in]
Tolerance: ±0.2mm [±0.008in]

How To Order

QPA-791-821-45-40

Customization is available upon request.